

# COMBi-4WSL 4500-6000

# COMBiLiFT

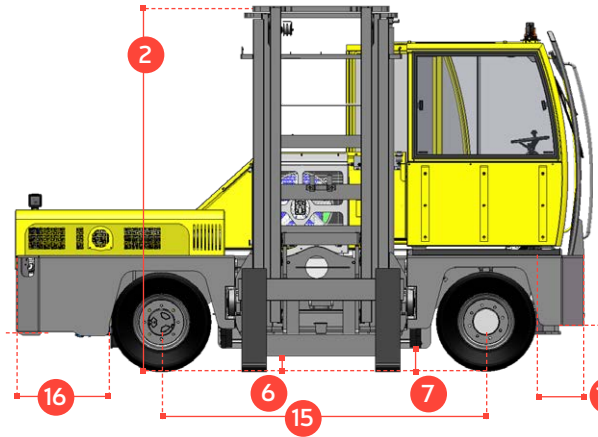
LIFTING INNOVATION

The 4 wheel Sideloader forklift designed for the safe, space saving and productive handling of long and bulky loads.

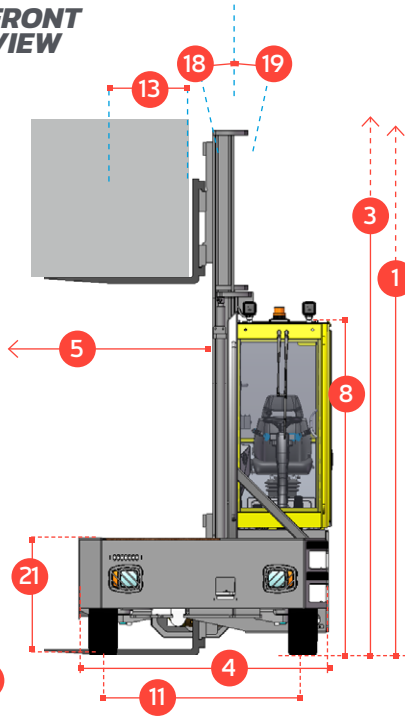


# COMBI-4WSL 5000-6000

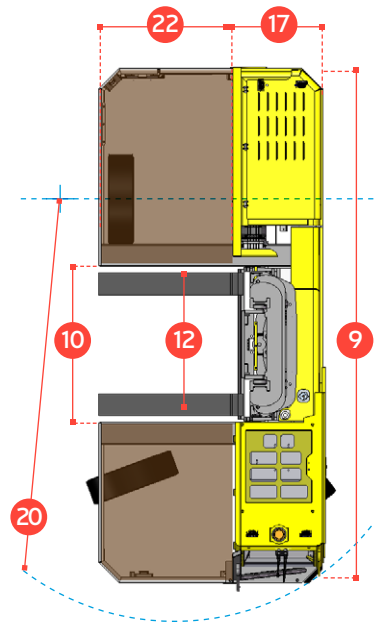
## SIDE VIEW



## FRONT VIEW



## OVERHEAD VIEW



REF.	DESCRIPTION	5000 4WSL	6000 4WSL
1a	Standard Lift Height	4040 mm	
1b	Freelift Height	0 mm	
2	Height Mast Closed	3135 mm	
3	Max. (Mast raised)	5150 mm	
4	Overall Width	2000 mm	2200 mm
5	Mast Travel	1290 mm	1490 mm
6	Ground Clearance Under Mast	210 mm	
7	Ground Clearance to Centre of Wheelbase	405 mm	
8	Height Over Cab (Without work lights)	2730 mm	
9	Length	4630 mm	
10	Frame Opening	1400 mm	
11	Track	1608 mm	
12	Outside Spread of Fork Arms	1330 mm	
13	Load Centre Distance	600 mm	
14	Overhang Front	390 mm	
15	Wheelbase	2650 mm	
16	Overhang Back	800 mm	
17	Length From Face of Fork	800 mm	
18	Forward Tilt	3°	
19	Backward Tilt	5°	
20	Minimum Outside Radius	4200 mm	
21	Platform Height	950 mm	
22	Platform Length	1200 mm	1400 mm
A	Capacity	5000 kg	6000 kg
B	Unladen Weight	9000 kg	9500 kg
C	Maximum Ground Speed	20 km/h	
D	Gradeability	15%	
E	Deutz TCD 3.6 L (Stage 5) / 4.3 ltr GM LPG	55.4kW/72kW.	
F	Electrics	12 Volt	
G	Fork Section 50mm x 200mm x	1200 mm	1400 mm
H	Pneumatic/Super Elastic Front Tyre	8.25 - 15	300 - 15
I	Standard Colour	Yellow & Grey	
J	Suspension Seat	Bege 3130	



### Features Include:

- Hydraulic Suspended Cabin
- Wet Disc Brakes
- 2 Wheel Drive
- Load Sensing Steering
- Tilting Chassis
- Hydraulic Oil Cooler

### Distributed by: